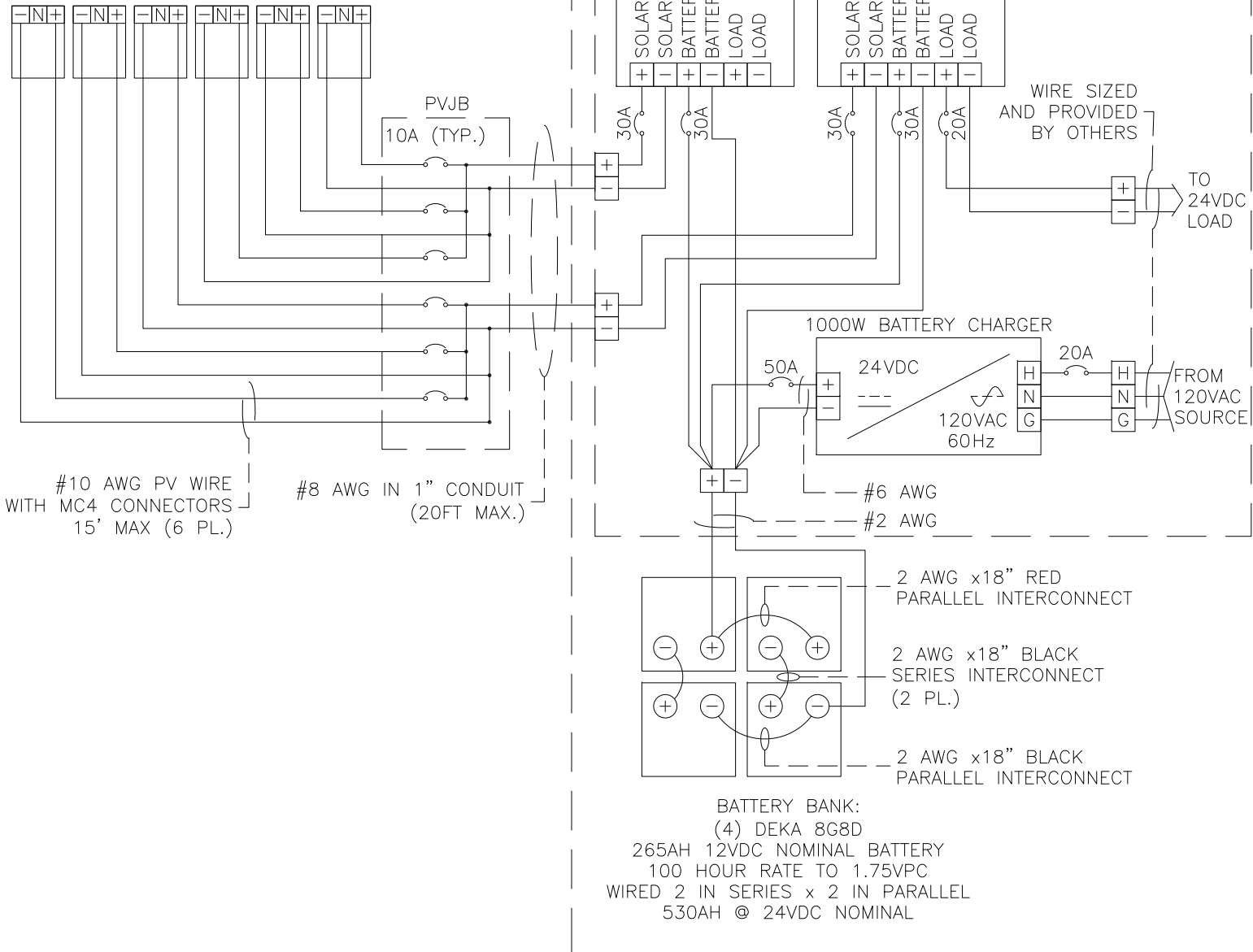


PRINTED: 09.01.17 — 9:35 AM

SOLAR ARRAY: 1230W
 (6) SOLARTEC S72MC-205 SOLAR MODULES
 WIRED 6 IN PARALLEL
 32.76A @ 37.56VDC



#10 AWG PV WIRE
 WITH MC4 CONNECTORS
 15' MAX (6 PL.)

#8 AWG IN 1" CONDUIT
 (20FT MAX.)

#6 AWG
 #2 AWG

2 AWG x18" RED
 PARALLEL INTERCONNECT
 2 AWG x18" BLACK
 SERIES INTERCONNECT
 (2 PL.)
 2 AWG x18" BLACK
 PARALLEL INTERCONNECT

BATTERY BANK:
 (4) DEKA 8G8
 265AH 12VDC NOMINAL BATTERY
 100 HOUR RATE TO 1.75VPC
 WIRED 2 IN SERIES x 2 IN PARALLEL
 530AH @ 24VDC NOMINAL

1. ALL WIRES ARE #10, RED: POSITIVE (+), BLACK: NEGATIVE (-), GREEN: GROUND (⊕).
 NOTES: UNLESS OTHERWISE SPECIFIED.



OWNERSHIP

COPYRIGHT ©2017 THE ABOVE DRAWINGS, SPECIFICATIONS, IDEAS, DESIGNS, AND ARRANGEMENTS ARE AND SHALL REMAIN THE PROPERTY OF SOLAR ELECTRIC SUPPLY AND NO PART THEREOF SHALL BE COPIED, DISCLOSED TO OTHERS, OR USED IN CONNECTION WITH ANY WORK OR PROJECT OTHER THAN THE SPECIFIC PROJECT FOR WHICH THEY HAVE BEEN PREPARED AND DEVELOPED WITHOUT THE WRITTEN CONSENT OF SOLAR ELECTRIC SUPPLY. VISUAL CONTACT WITH THESE PLANS OR SPECIFICATIONS SHALL CONSTITUTE CONCLUSIVE EVIDENCE OF ACCEPTANCE OF THESE RESTRICTIONS.

WIRING DIAGRAM
 MAPPS 1230-530-
 24-LPRGM

UNITS
 UNLESS OTHERWISE SPECIFIED:
 PRIMARY UNITS ARE: INCHES
 SECONDARY UNITS ARE: [mm]

REVISIONS
 REV REVISED BY DATE

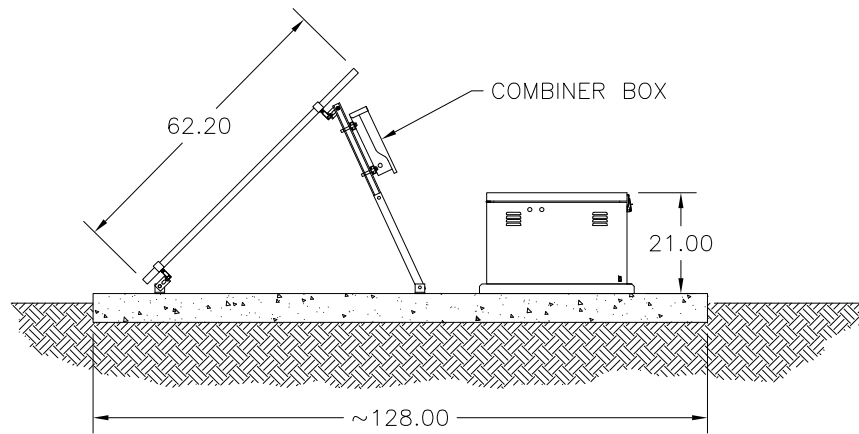
MISC

SCALE N/A
 DRAWING NUMBER SD41-0194
 B.O.M. NUMBER SB41-0194
 SHEET 1 OF 4

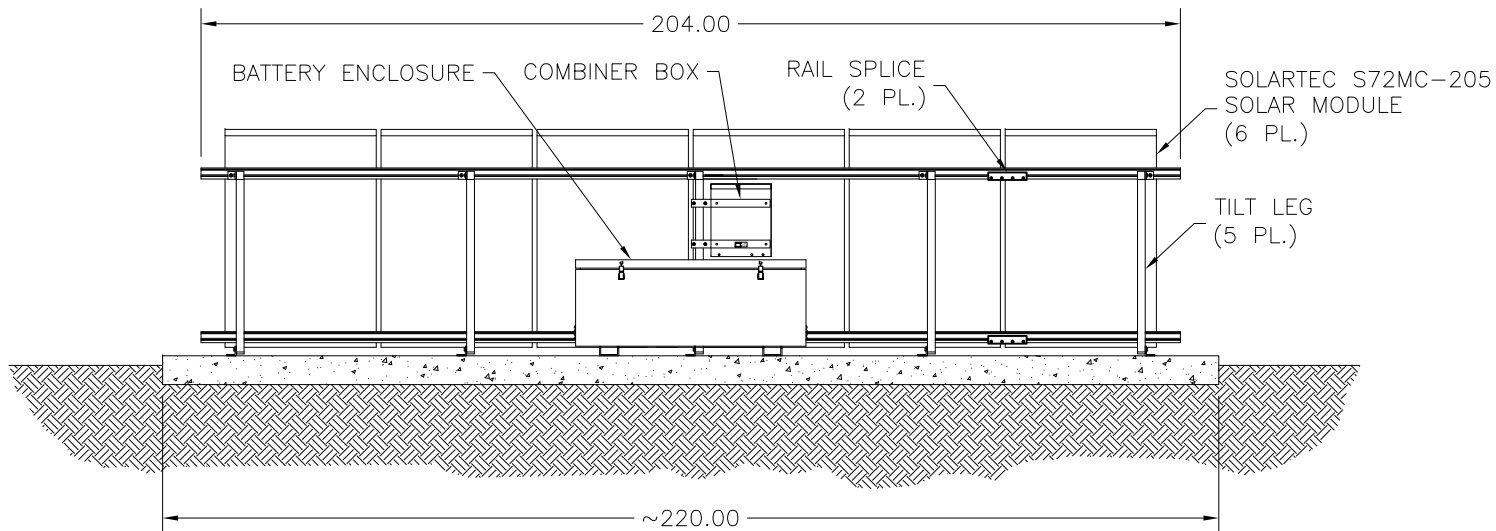
APPROVALS NAME DATE
 DRAWN E. RIVAS 31.AUG.17
 APPROVED S. GLIDDEN 01.SEP.17

SIZE A

PRINTED: 09.01.17 — 9:35 AM



SIDE VIEW



REAR VIEW

2. ARRAY TO BE INSTALLED SOUTH FACING IN NORTHERN HEMISPHERE AND NORTH FACING IN SOUTHERN HEMISPHERE.

1. ARRAY SHOWN AT 45 DEG TILT ANGLE.

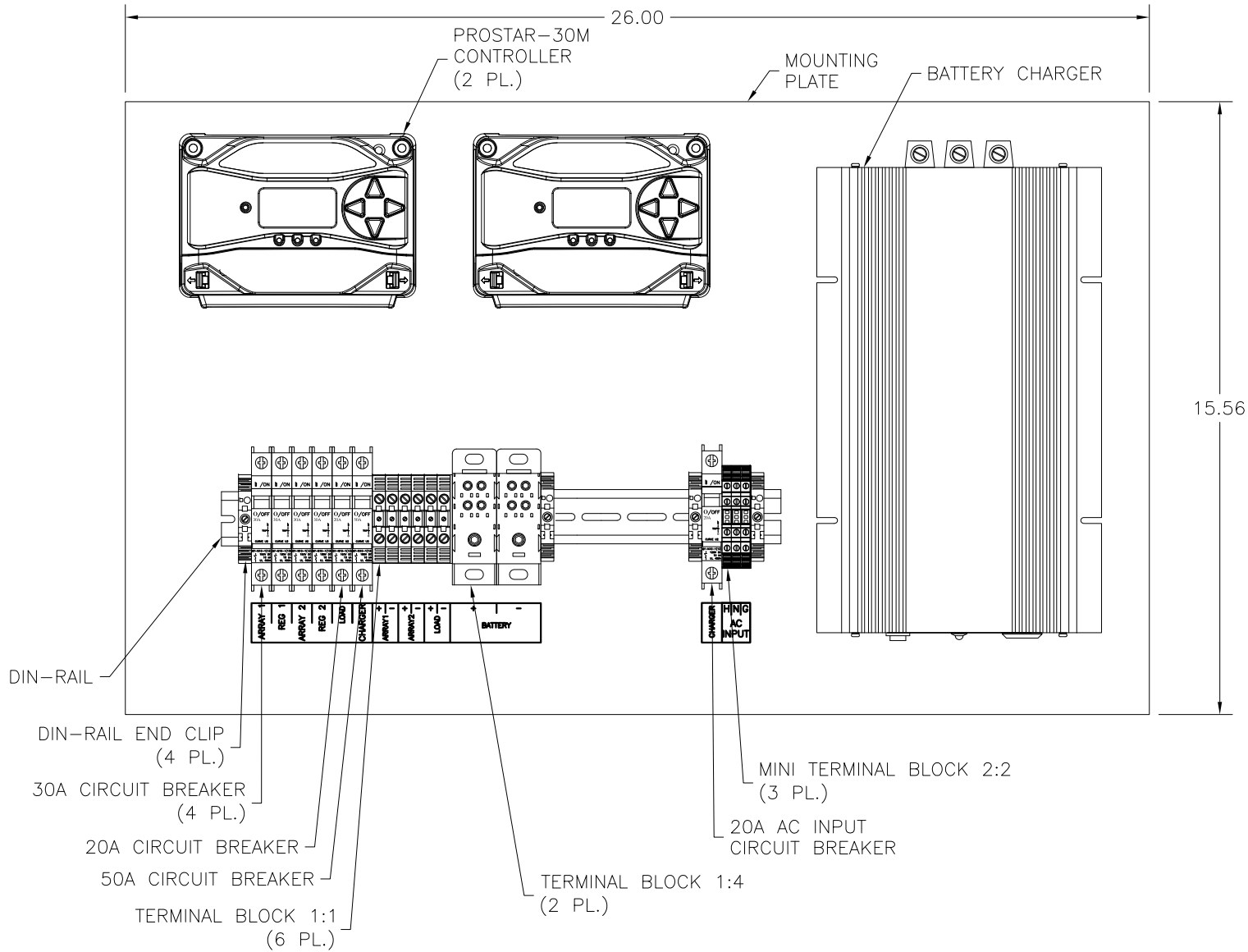
NOTES:



OWNERSHIP

COPYRIGHT ©2017 THE ABOVE DRAWINGS, SPECIFICATIONS, IDEAS, DESIGNS, AND ARRANGEMENTS ARE AND SHALL REMAIN THE PROPERTY OF SOLAR ELECTRIC SUPPLY AND NO PART THEREOF SHALL BE COPIED, DISCLOSED TO OTHERS, OR USED IN CONNECTION WITH ANY WORK OR PROJECT OTHER THAN THE SPECIFIED PROJECT FOR WHICH THEY HAVE BEEN PREPARED AND DEVELOPED WITHOUT THE WRITTEN CONSENT OF SOLAR ELECTRIC SUPPLY. VISUAL CONTACT WITH THESE PLANS OR SPECIFICATIONS SHALL CONSTITUTE CONCLUSIVE EVIDENCE OF ACCEPTANCE OF THESE RESTRICTIONS.

SITE LAYOUT		DATE
MAPPS 1230-530-24-LPRGM		31.AUG.17
UNITS	APPROVALS NAME	DATE
UNLESS OTHERWISE SPECIFIED: PRIMARY UNITS ARE: INCHES SECONDARY UNITS ARE: [mm]	DRAWN E. RIVAS	31.AUG.17
REVISIONS	APPROVED S. GLIDDEN	01.SEP.17
REV	REVISED BY	DATE
MISC		
SCALE	DRAWING NUMBER	SIZE
N/A	SD41-0194	A
	B.O.M. NUMBER	
	SB41-0194	
	SHEET 2 OF 4	



OWNERSHIP

COPYRIGHT ©2017 THE ABOVE DRAWINGS, SPECIFICATIONS, IDEAS, DESIGNS, AND ARRANGEMENTS ARE AND SHALL REMAIN THE PROPERTY OF SOLAR ELECTRIC SUPPLY AND NO PART THEREOF SHALL BE COPIED, DISCLOSED TO OTHERS, OR USED IN CONNECTION WITH ANY WORK OR PROJECT OTHER THAN THE SPECIFIED PROJECT FOR WHICH THEY HAVE BEEN PREPARED AND DEVELOPED WITHOUT THE WRITTEN CONSENT OF SOLAR ELECTRIC SUPPLY. VISUAL CONTACT WITH THESE PLANS OR SPECIFICATIONS SHALL CONSTITUTE CONCLUSIVE EVIDENCE OF ACCEPTANCE OF THESE RESTRICTIONS.

COMPONENT LAYOUT

MAPPS 1230-530-
24-LPRGM

UNITS
UNLESS OTHERWISE SPECIFIED:
PRIMARY UNITS ARE: INCHES
SECONDARY UNITS ARE: [mm]

REVISIONS

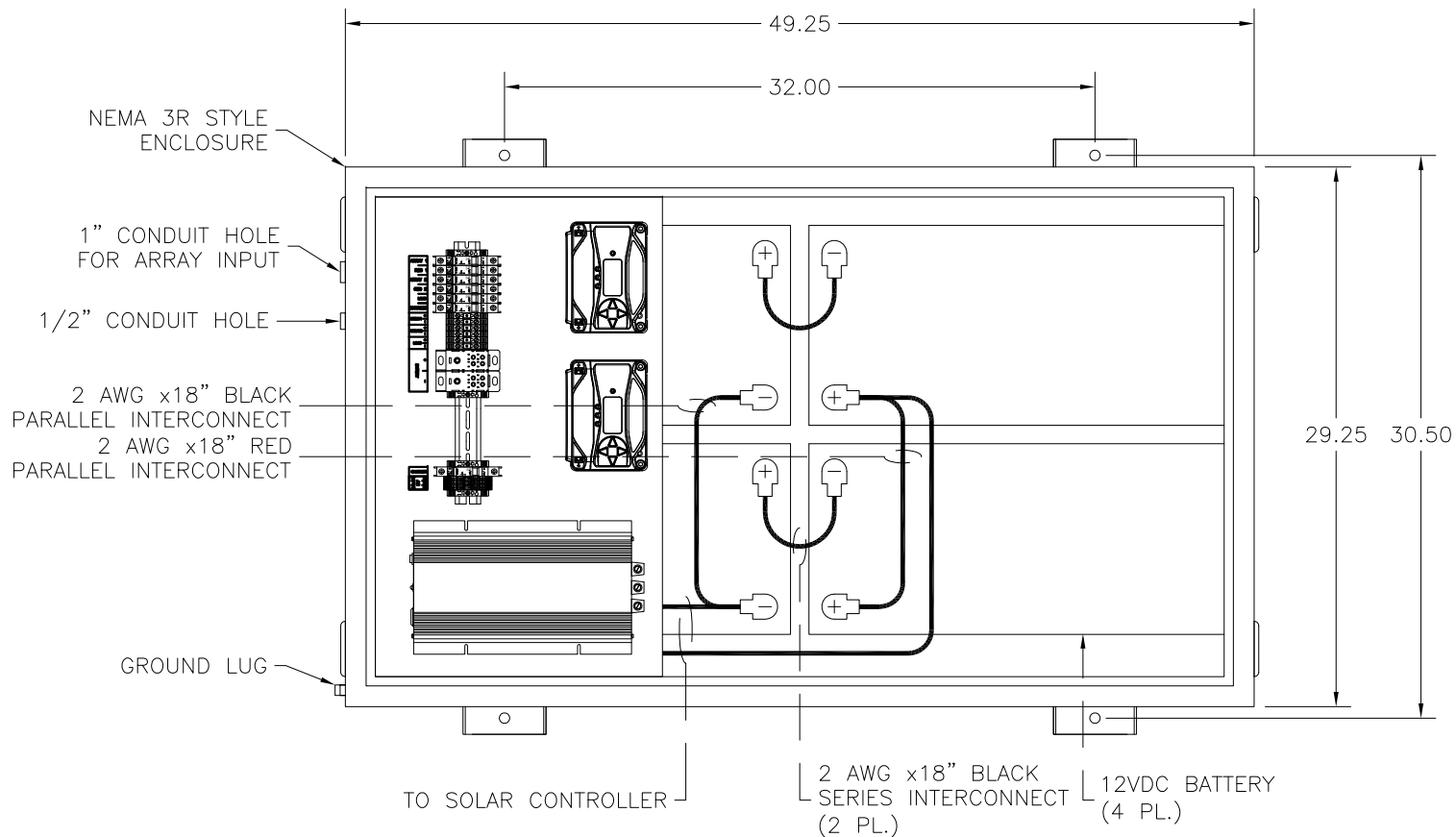
REV	REVISED BY	DATE

MISC

SCALE	N/A	DRAWING NUMBER	SD41-0194
		B.O.M. NUMBER	SB41-0194
		SHEET	3 OF 4

APPROVALS	NAME	DATE
	DRAWN E. RIVAS	31.AUG.17
	APPROVED S. GLIDDEN	01.SEP.17

SIZE	A
------	---



OWNERSHIP

COPYRIGHT ©2017 THE ABOVE DRAWINGS, SPECIFICATIONS, IDEAS, DESIGNS, AND ARRANGEMENTS ARE AND SHALL REMAIN THE PROPERTY OF SOLAR ELECTRIC SUPPLY AND NO PART THEREOF SHALL BE COPIED, DISCLOSED TO OTHERS, OR USED IN CONNECTION WITH ANY WORK OR PROJECT OTHER THAN THE SPECIFIED PROJECT FOR WHICH THEY HAVE BEEN PREPARED AND DEVELOPED WITHOUT THE WRITTEN CONSENT OF SOLAR ELECTRIC SUPPLY. VISUAL CONTACT WITH THESE PLANS OR SPECIFICATIONS SHALL CONSTITUTE CONCLUSIVE EVIDENCE OF ACCEPTANCE OF THESE RESTRICTIONS.

BATTERY LAYOUT

MAPPS 1230-530-24-LPRGM

UNITS

UNLESS OTHERWISE SPECIFIED:
PRIMARY UNITS ARE: INCHES
SECONDARY UNITS ARE: [mm]

REVISIONS

REV	REVISED BY	DATE

MISC

--

--

--

--

--

--

--

APPROVALS	NAME	DATE

--

--

--

--

--

--

--

--

--

--

--

--